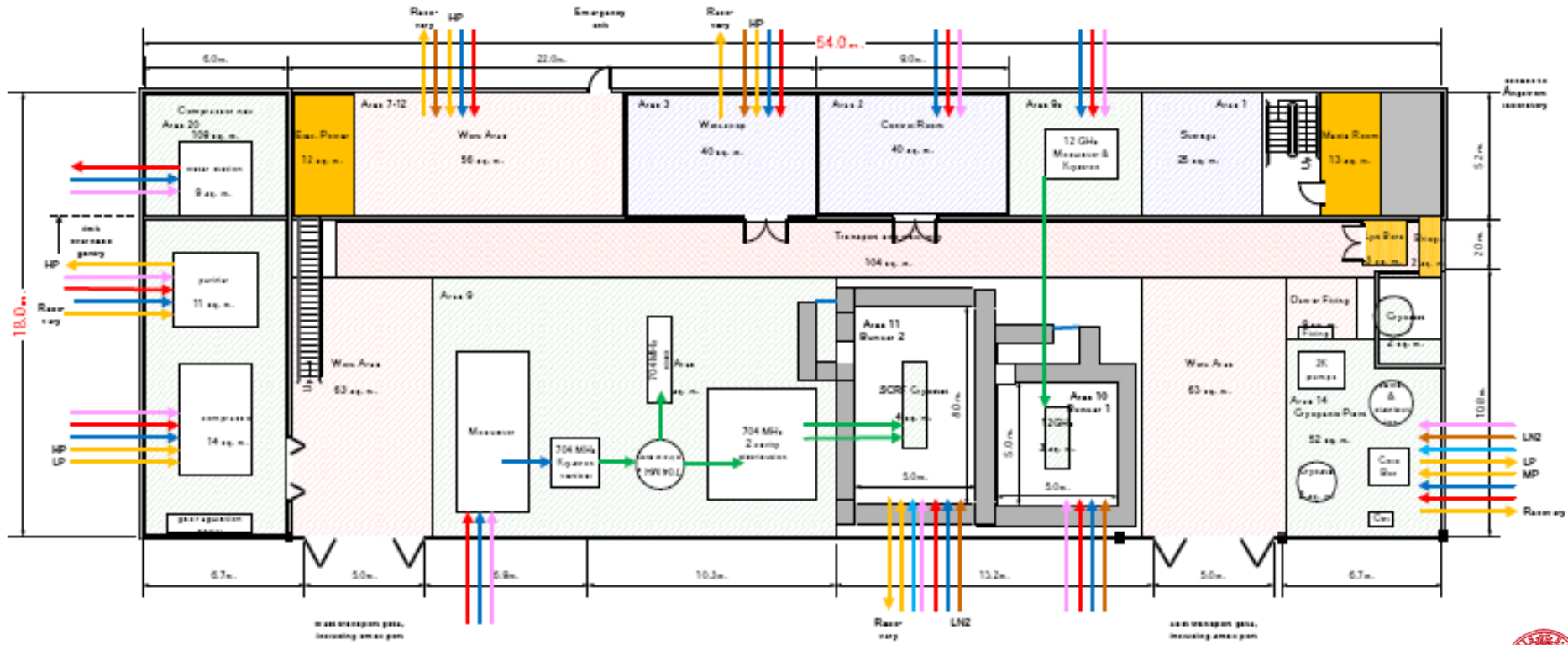


FREIA



UPPSALA
UNIVERSITET

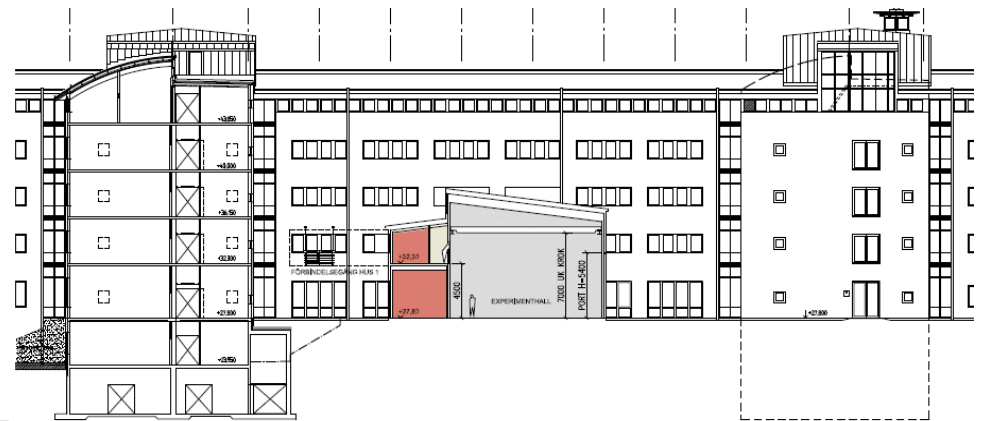
- New FREIA Subdepartment
 - Head: Tord Ekelof
 - Project leader: Roger Ruber
- Finances: KAW 40M, UD 25M+25M, ESS 60M + UU
- Personnel
 - Now: Rutambhara Yogi, Rolf Wedberg, Konrad Gajewski, Tor Lofnes, Anders Rydberg, Dragos Dancila, Marek Jancewicz, VZ
 - 15 Jan: Lars Hermansson, Rocio Santiago Kern
 - May: Vitaliy Goryashko
- Location: move temporarily to A81xxx rooms from end of January and later into the FREIA hall



FREIA building



UPPSALA
UNIVERSITET



120110, V. Ziemann

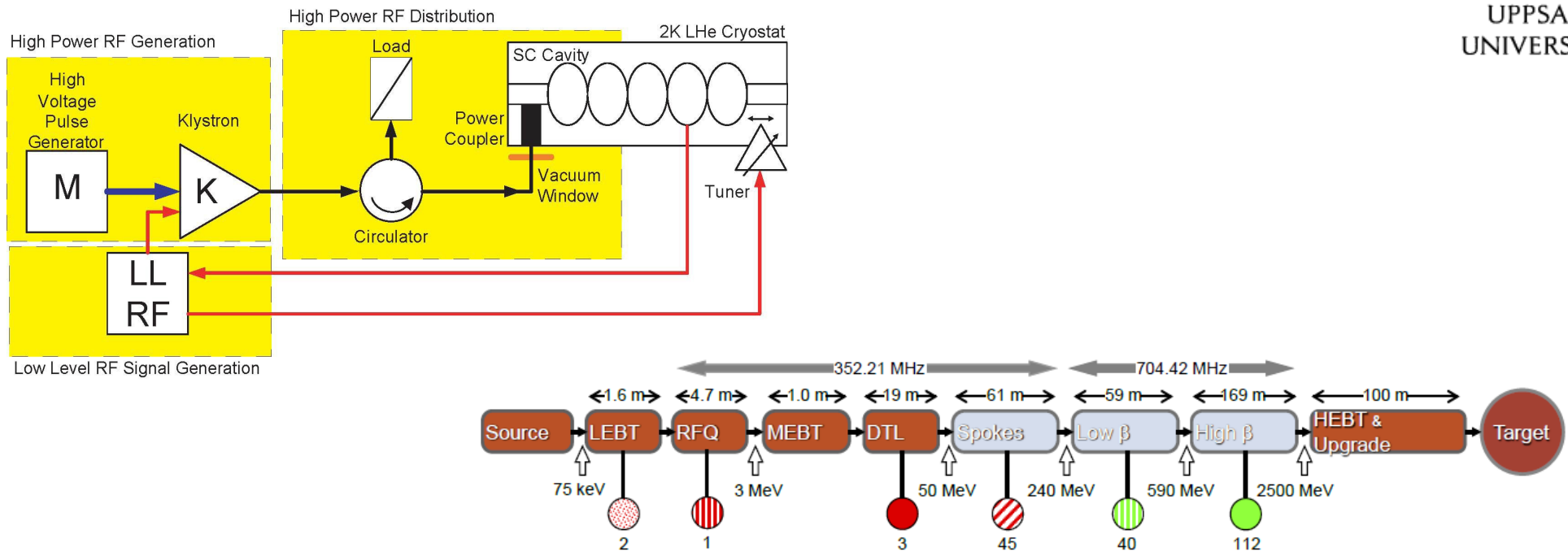
FRE

Hus 7

FREIA-Hallen

Framtida utbyggnad

What's it about?



Writing of RF distribution system for TDR in 2012

- ESS RF distribution system development in FREIA hallen
 - Originally 704 MHz, but delays at ESS
 - Start with 352 MHz system and later 704 MHz



Timeline

- 12Q1/2: RF system design for TDR
- 12Q1/2: Tender for LHe Cryoplant
- 12Q3/4: Order components
- 13Q3: Move in to FREIA hall
- 13Q4: Delivery and installation of cryoplant and RF components
- 13Q4 and later: RF system test
- Why delayed? May 2011, pulse length 2->2.9 ms and rep-rate 20->14 Hz, late tendering, Akademiska Hus price hike.